






Assembling instructions for belated integration of belletto side rails

Content of cardboard box

No.	Quantity	Description	
1	2	Side rail head section (84,8cm with 2m long lying surface respectively 94,8cm with 2,20m lying surface)	
2	2	Side rail foot section (53,2cm with 2m long lying surface respectively 63,2cm with 2,20m lying surface)	
3	8	Cylinder bolt	
4	2	Wooden part (23 cm)	
5	2	Wooden part (17,5 cm)	

Required tools:

No.	Description
1	Hammer
2	Arbor (to drive in the cylinder bolt)

Assembling instructions for belated integration of belletto side rails

To integrate the side rails:

1. Press the release button („Drücken / Press“) downward (fig. 1, direction A), insert the ends of the side rails in the cross frame profile at the same time (fig.1, Point B & fig. 2, direction C) and slide them in as shown in figure 3.
2. To connect the side rails permanent with the bed you have to add two cylinder bolts per side rail. Insert the cylinder bolts in the pre-drilled holes. Beat from top down with an arbor and a hammer on the cylinder bolt, as long as this flushes with the guidance of the side rail (fig. 4, Point E).

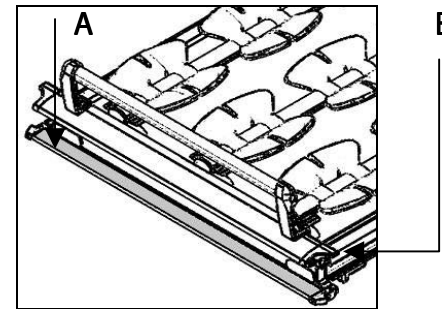


fig. 1

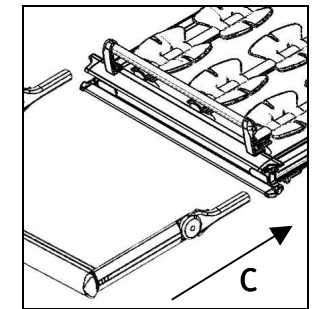


fig. 2

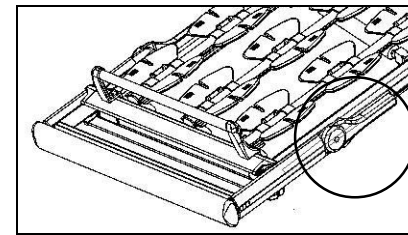


fig. 3

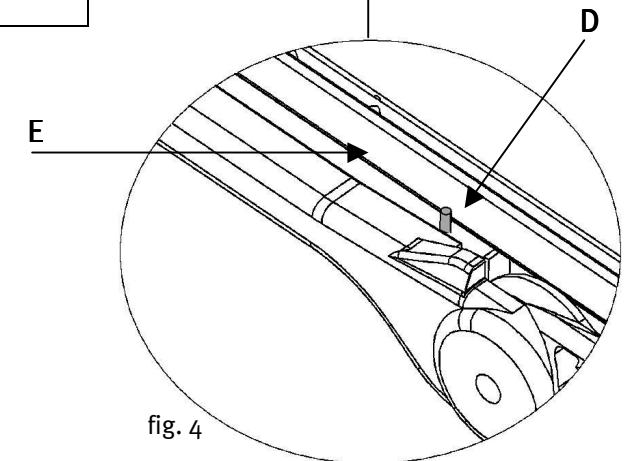


fig. 4



Take care not to damage the guidance of the side rail when installing the cylinder bolts!



For information about the use of the side rails please pay attention to the brief instructions.